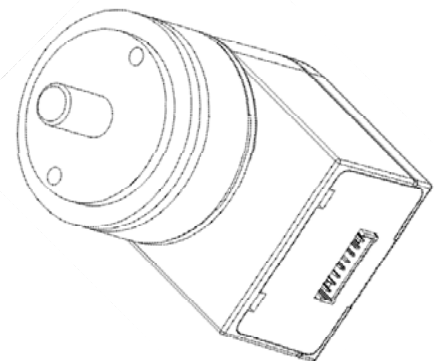


NEW

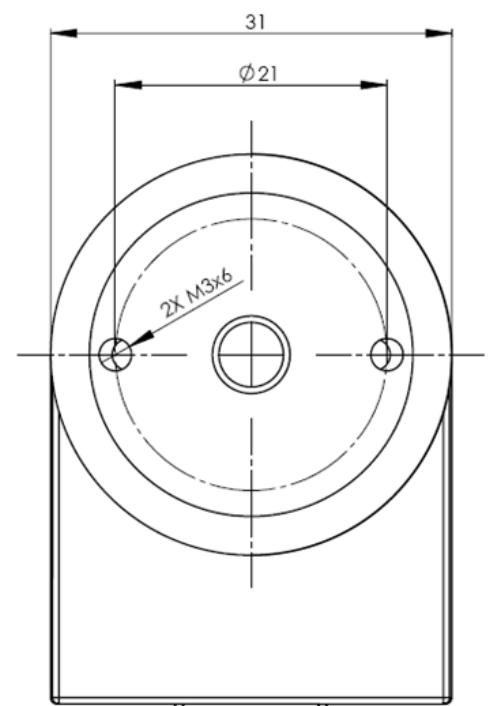
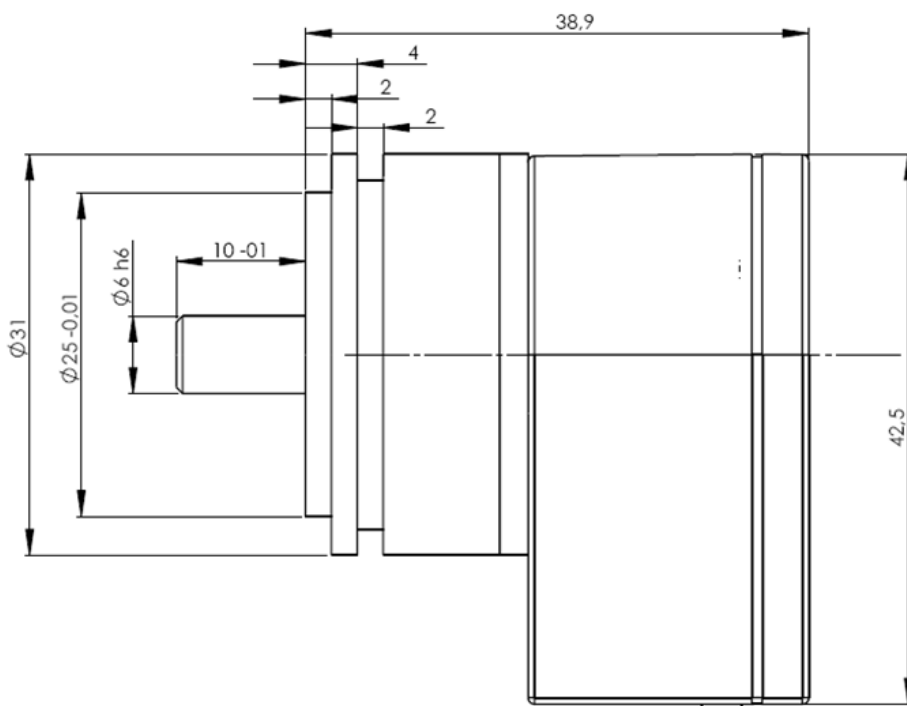
Main characteristics



- Resolutions up to 1024 counts per revolution (CPR)
- Up to 100 kHz output frequency
- Two channel quadrature output with index pulse (A / B / I)
- Power supply: 5VDC
- TTL compatible outputs
- Output circuit: differential line driver
- Operating temperature range: up -40 °C to +100 °C
- Shaft diameter: 6.0 mm
- Protection class: IP54



Mechanical dimensions

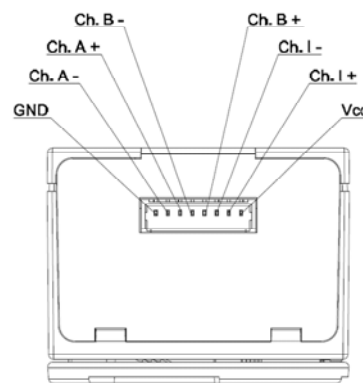


Operating conditions

Parameter	Symbol	Min.	Typ.	Max.	Unit	Notes
Operating temperature ^{M1}	T _A	-40		100	°C	
Operating temperature ^{M2}	T _A	-40		85	°C	
Supply voltage	V _{CC}			5.5	V _{DC}	
Supply current	I _{CC}			110	mA	No load
Output voltage	V _{out}			V _{CC}	V	
Output current	I _{out}			± 20	mA	per Channel
Count frequency	f			100	kHz	rpm x N / 60 x 10 ⁻³

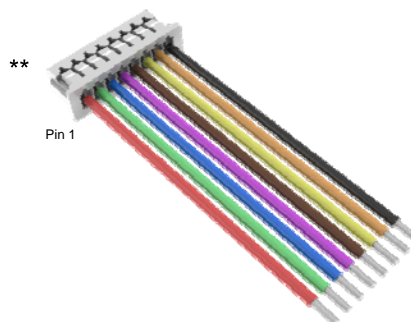
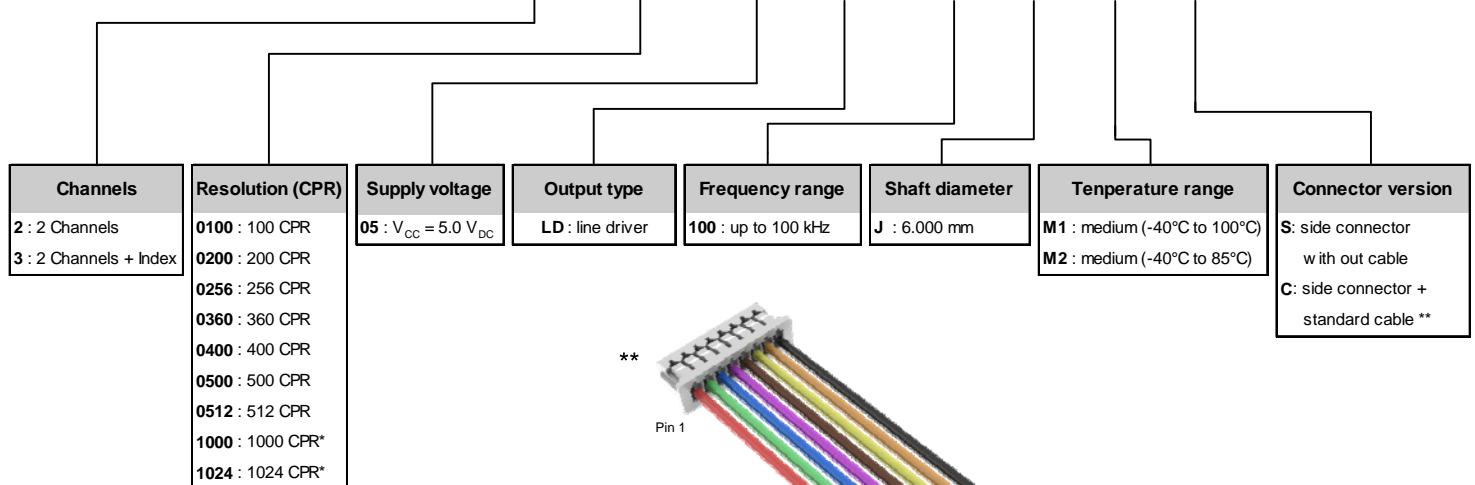
Pin-out description

Pin	Output pin	Description	Wire colors (UL 10002) ^{M1}	Wire colors (UL 1061) ^{M2}
1	V _{CC}	Power supply	red	red
2	I+	Index I+	green	green
3	I-	Index I-	blue	blue
4	B+	Channel B+	purple	purple
5	B-	Channel B-	brown	brown
6	A+	Channel A+	yellow	yellow
7	A-	Channel A-	white	orange
8	GND	Ground	black	black



Ordering codes

AE30 - S - X - XXXX - 05 - LD - 100 - X - XX - X



Note:
* only on request

Note: for more information please see data sheets of different AE30 versions