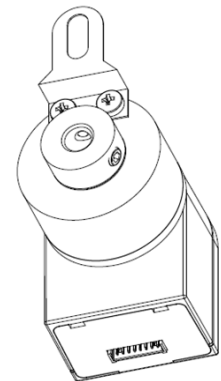


**NEW**

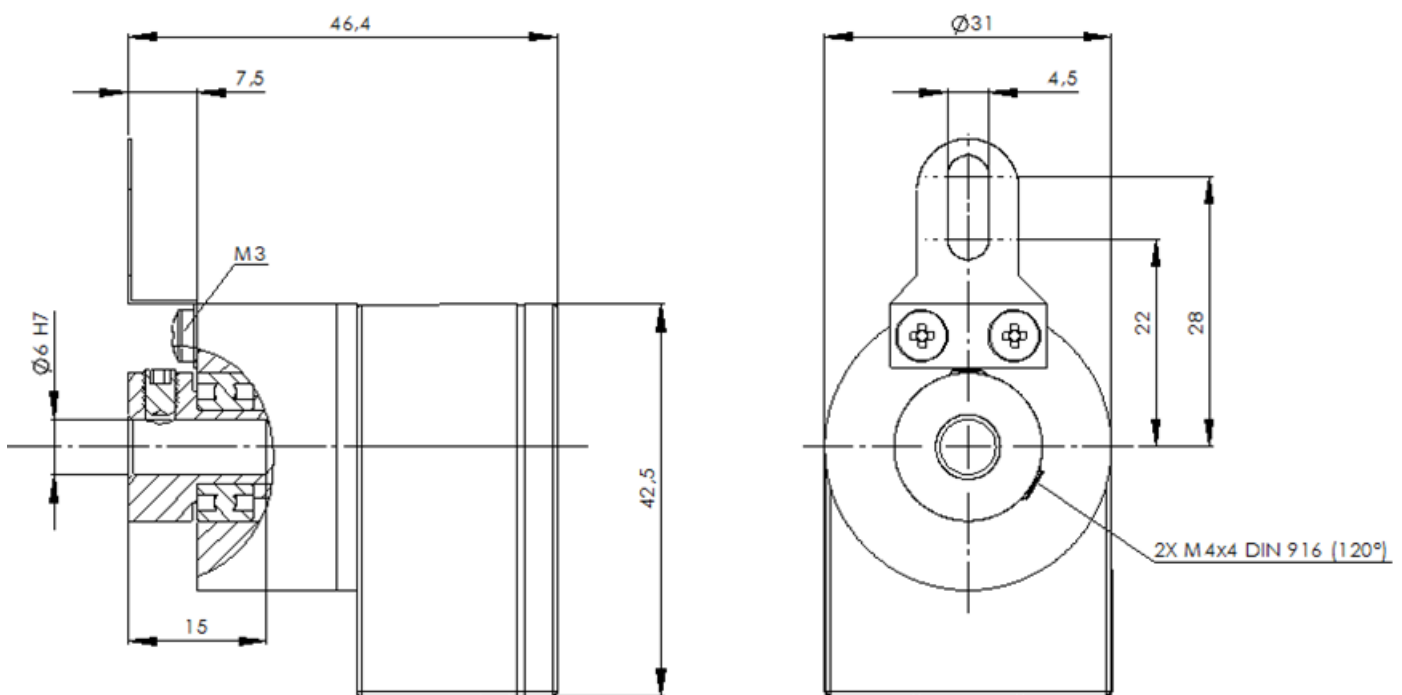


### Main characteristics

- Resolutions up to 1024 counts per revolution (CPR)
- Up to 100 kHz output frequency
- Two channel quadrature output with index pulse (A / B / I)
- Power supply: 5VDC
- TTL compatible outputs
- Output circuit: differential line driver
- Operating temperature range: up -40 °C to +100 °C
- Hollow shaft diameter: 4.0; 5.0; 6.0 mm
- Protection class: IP54



### Mechanical dimensions

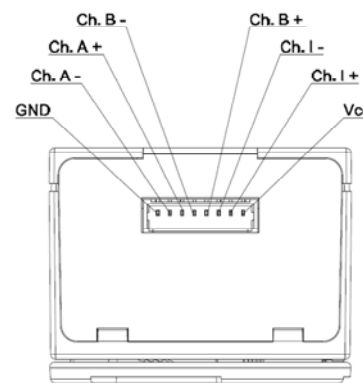


### Operating conditions

Parameter	Symbol	Min.	Typ.	Max.	Unit	Notes
Operating temperature <sup>M1</sup>	T <sub>A</sub>	-40		100	°C	
Operating temperature <sup>M2</sup>	T <sub>A</sub>	-40		85	°C	
Supply voltage	V <sub>CC</sub>			5.5	V <sub>DC</sub>	
Supply current	I <sub>CC</sub>			110	mA	No load
Output voltage	V <sub>out</sub>			V <sub>CC</sub>	V	
Output current	I <sub>out</sub>			± 20	mA	per Channel
Count frequency	f			100	kHz	rpm x N / 60 x 10 <sup>-3</sup>

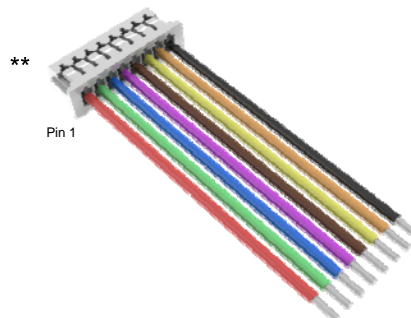
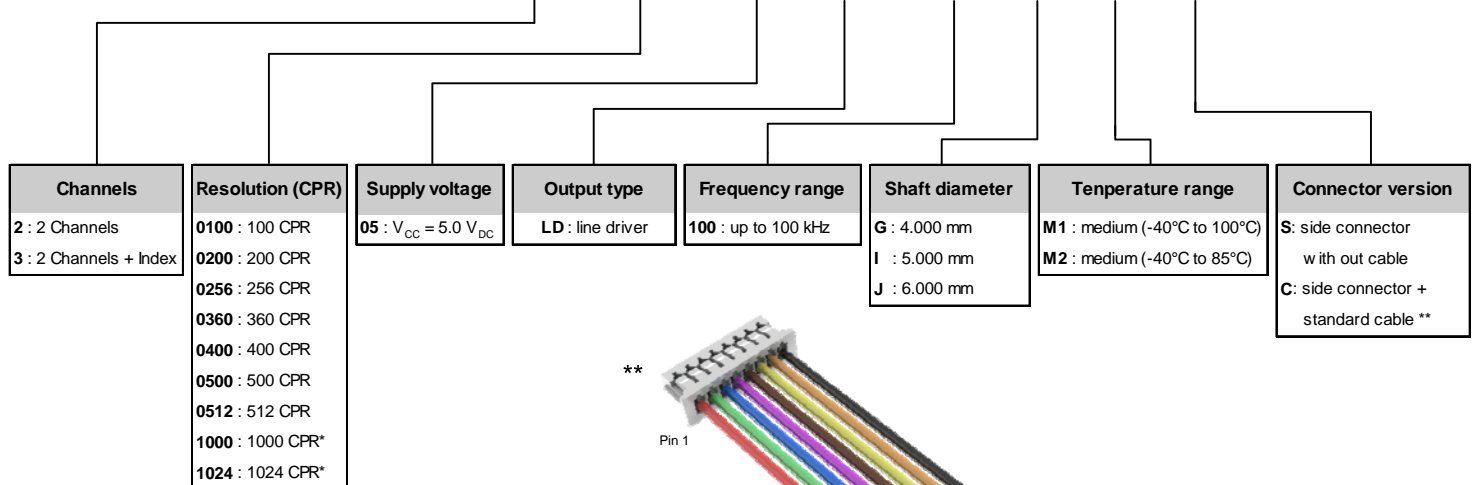
### Pin-out description

Pin	Output pin	Description	Wire colors (UL 10002) <sup>M1</sup>	Wire colors (UL 1061) <sup>M2</sup>
1	V <sub>CC</sub>	Power supply	red	red
2	I+	Index I+	green	green
3	I-	Index I-	blue	blue
4	B+	Channel B+	purple	purple
5	B-	Channel B-	brown	brown
6	A+	Channel A+	yellow	yellow
7	A-	Channel A-	white	orange
8	GND	Ground	black	black



### Ordering codes

**AE30 - H - X - XXXX - 05 - LD - 100 - X - XX - X**



Note:  
\* only on request

Note: for more information please see data sheets of different AE30 versions