

# GPX 22 SPEED

## Planetary Gearhead Ø22 mm

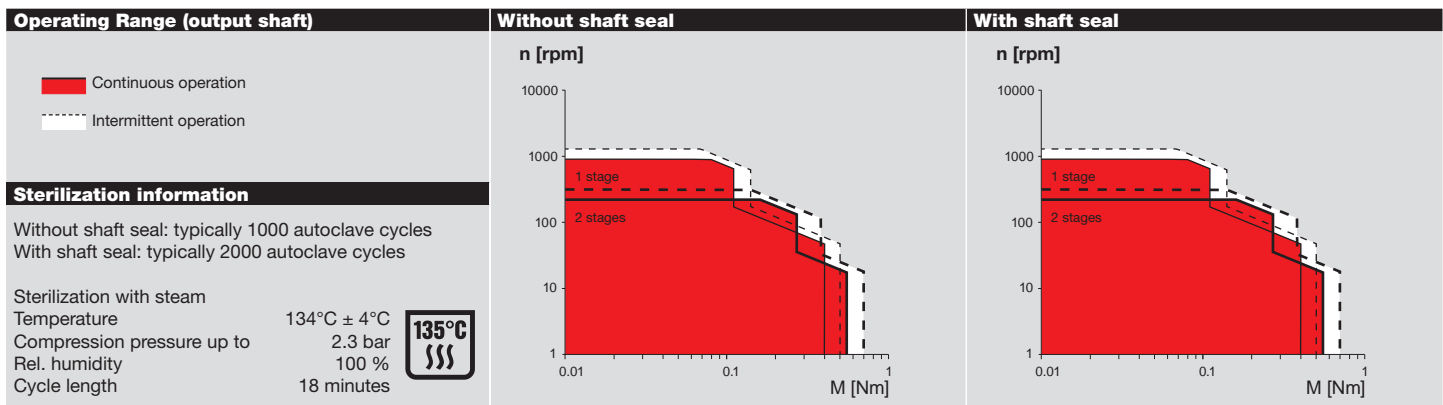
Sterilizable

NEW



maxon X drives

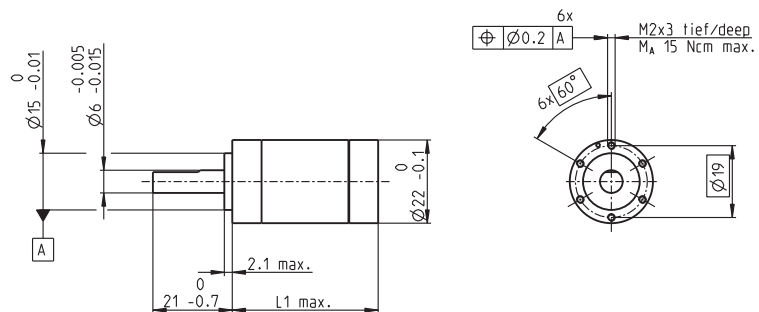
Key Data	Without shaft seal	With shaft seal
Max. transmittable power	W 74	74
Max. continuous torque	Nm 0.27	0.27
Max. continuous input speed	rpm 35000	35000
Ambient temperature	°C -10 ... +135	-10 ... +135
Bearing at output	Ball bearing	Ball bearing



Specifications	Without shaft seal*		With shaft seal*	
Number of stages	1	2	1	2
Max. transmittable continuous power	W 74 (20)	37 (10)	74 (20)	37 (10)
Max. transmittable intermittent power	W 92 (25)	46 (13)	92 (25)	46 (13)
Max. continuous torque	Nm 0.11 (0.4)	0.27 (0.55)	0.11 (0.4)	0.27 (0.55)
Max. intermittent torque	Nm 0.14 (0.5)	0.38 (0.7)	0.14 (0.5)	0.38 (0.7)
Max. continuous input speed	rpm 35000	35000	35000	35000
Max. intermittent input speed	rpm 50000	50000	50000	50000
Max. efficiency	% 85	80	85	80
Average backlash no load	° 1.4	1.6	1.4	1.6
Max. axial load (dynamic)	N 80.0	80.0	80.0	80.0
Max. radial load, 10 mm from flange	N 45.0	75.0	30.0	50.0
Gearhead length L1	mm 30.8	40.9	38.6	48.6
Weight	g 65	86	85	106

Configuration	Without shaft seal		With shaft seal	
Number of stages	1	2	1	2
Reduction	X:1 3.9, 5.3, 6.6	16, 21, 26, 28, 35, 44	3.9, 5.3, 6.6	16, 21, 26, 28, 35, 44
Version	Without shaft seal/With shaft seal			
Flange	Standard flange			
Shaft	Length/flat face/cross hole			

maxon Modular System	Page	Dimensions	M 1:2
maxon EC motor	Number of stages		
ECX SPEED 22 M	1-2	104-107	
ECX SPEED 22 L	1-2	108-111	



xdrives.maxonmotor.com

\*Values in parentheses apply in case of reduced speed (according to diagram).