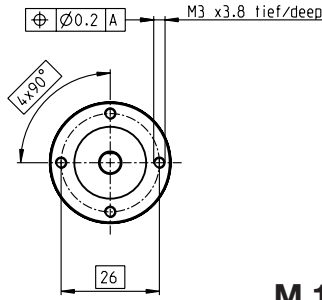
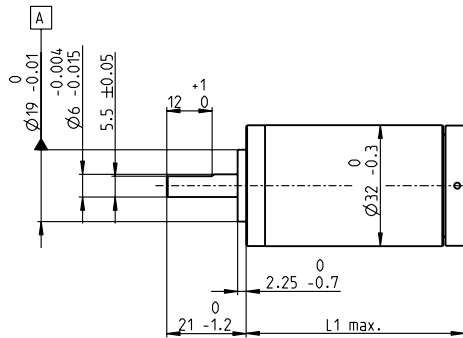


Koaxdrive KD 32 Ø32 mm, 1.0–4.5 Nm

Low Noise



M 1:2

Technical Data

Planetary Gearhead	special toothing
Output shaft	stainless steel
Bearing at output	ball bearing
Radial play, 5 mm from flange	max. 0.14 mm
Axial play	max. 0.4 mm
Max. axial load (dynamic)	120 N
Max. force for press fits	120 N
Direction of rotation, drive to output	=
Max. continuous input speed	8000 rpm
Recommended temperature range	-15...+80°C
Number of stages	1 2 3
Max. radial load, 10 mm from flange	90 N 140 N 200 N

Option: higher reduction ratio on request

maxon gear

- Stock program
- Standard program
- Special program (on request)

Part Numbers

	354722	354725	354962	354730	354731	354734	354737	354963	354742
Gearhead Data									
1 Reduction	11:1	41:1	82:1	158:1	152:1	253:1	392:1	705:1	1091:1
2 Absolute reduction	11/1	286/7	408/5	792/5	7436/49	6336/25	9792/25	9867/14	17457/16
7 Max. efficiency %	78	70	65	61	63	63	59	55	55
10 Mass inertia gcm ²	0.65	0.60	0.60	0.35	0.60	0.60	0.35	0.35	0.22
Part Numbers	354723	354726	354728	354744	354732	354735	354738	354740	
1 Reduction	17:1	53:1	98:1	190:1	196:1	304:1	455:1	760:1	
2 Absolute reduction	17/1	264/5	391/4	759/4	6864/35	1518/5	22308/49	19008/25	
7 Max. efficiency %	72	70	65	65	63	63	55	55	
10 Mass inertia gcm ²	0.38	0.60	0.35	0.35	0.60	0.60	0.22	0.22	
Part Numbers	354724	354727	354729		354733	354736	354739	354741	
1 Reduction	33:1	63:1	123:1		235:1	364:1	588:1	911:1	
2 Absolute reduction	33/1	442/7	858/7		11492/49	5819/16	20592/35	4554/5	
7 Max. efficiency %	68	70	61		63	63	59	55	
10 Mass inertia gcm ²	0.65	0.60	0.22		0.60	0.60	0.35	0.22	
3 Max. motor shaft diameter mm	3	3	3	3	3	3	3	3	3
4 Number of stages	1	2	2	2	3	3	3	3	3
5 Max. continuous torque Nm	1	3.5	3.5	3.5	4.5	4.5	4.5	4.5	4.5
6 Max. intermittent torque at gear output Nm	1.25	4.4	4.4	4.4	6.5	6.5	6.5	6.5	6.5
8 Weight g	130	230	230	230	262	262	262	262	262
9 Average backlash no load °	3.5	1	1	1	1	1	1	1	1
11 Gearhead length L1 mm	40.7	57.9	57.9	57.9	67.6	67.6	67.6	67.6	67.6



maxon Modular System

+ Motor	Page	+ Sensor/Brake	Page	Overall length [mm] = Motor length + gearhead length + (sensor/brake) + assembly parts							
RE 25	179/181			95.3	112.5	112.5	112.5	122.2	122.2	122.2	122.2
RE 25	179/181	MR	392	106.3	123.5	123.5	123.5	133.2	133.2	133.2	133.2
RE 25	179/181	Enc 22	398	109.4	126.6	126.6	126.6	136.3	136.3	136.3	136.3
RE 25	179/181	HED_5540	399/401	116.1	133.3	133.3	133.3	143.0	143.0	143.0	143.0
RE 25	179/181	DCT 22	411	117.6	134.8	134.8	134.8	144.5	144.5	144.5	144.5
RE 25, 20 W	180			83.8	101.0	101.0	101.0	110.7	110.7	110.7	110.7
RE 25, 20 W	180	MR	392	94.8	112.0	112.0	112.0	121.7	121.7	121.7	121.7
RE 25, 20 W	180	HED_5540	400/401	104.6	121.8	121.8	121.8	131.5	131.5	131.5	131.5
RE 25, 20 W	180	DCT 22	411	106.1	123.3	123.3	123.3	133.0	133.0	133.0	133.0
RE 25, 20 W	180	AB 28	446	117.9	135.1	135.1	135.1	144.8	144.8	144.8	144.8
RE 25, 20 W	180	HED_5540/AB 28	400/446	135.1	152.3	152.3	152.3	162.0	162.0	162.0	162.0
RE 30, 60 W	183			108.8	126.0	126.0	126.0	135.7	135.7	135.7	135.7
RE 30, 60 W	183	MR	393	120.2	137.4	137.4	137.4	147.1	147.1	147.1	147.1
RE 30, 60 W	183	HEDL 5540	401	129.6	146.8	146.8	146.8	156.5	156.5	156.5	156.5
EC-max 22, 12 W	262			72.8	90.0	90.0	90.0	99.7	99.7	99.7	99.7
EC-max 22, 12 W	262	MR	391	82.4	99.6	99.6	99.6	109.3	109.3	109.3	109.3
EC-max 22, 12 W	262	AB 20	444	108.4	125.6	125.6	125.6	135.3	135.3	135.3	135.3
EC-max 22, 25 W	263			89.3	106.5	106.5	106.5	116.2	116.2	116.2	116.2
EC-max 22, 25 W	263	MR	391	98.9	116.1	116.1	116.1	125.8	125.8	125.8	125.8
EC-max 22, 25 W	263	AB 20	444	125.0	142.2	142.2	142.2	151.9	151.9	151.9	151.9
EC-max 30, 40 W	264			82.8	100.0	100.0	100.0	109.7	109.7	109.7	109.7
EC-max 30, 40 W	264	MR	392	95.0	112.2	112.2	112.2	121.9	121.9	121.9	121.9
EC-max 30, 40 W	264	HEDL 5540	403	103.4	120.6	120.6	120.6	130.3	130.3	130.3	130.3
EC-max 30, 40 W	264	AB 20	444	118.4	135.6	135.6	135.6	145.3	145.3	145.3	145.3
EC-max 30, 40 W	264	HEDL 5540/AB 20	403/444	139.2	156.2	156.2	156.2	165.7	165.7	165.7	165.7
EC-max 30, 60 W	265			104.8	122.0	122.0	122.0	131.7	131.7	131.7	131.7
EC-max 30, 60 W	265	MR	392	117.0	134.2	134.2	134.2	143.9	143.9	143.9	143.9
EC-max 30, 60 W	265	HEDL 5540	403	125.4	142.6	142.6	142.6	152.3	152.3	152.3	152.3
EC-max 30, 60 W	265	AB 20	444	140.4	157.6	157.6	157.6	167.3	167.3	167.3	167.3
EC-max 30, 60 W	265	HEDL 5540/AB 20	403/444	161.2	178.2	178.2	178.2	187.7	187.7	187.7	187.7