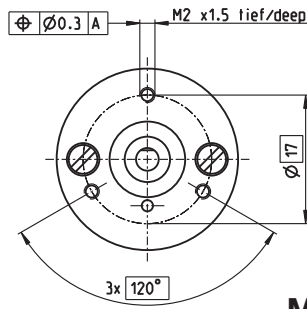
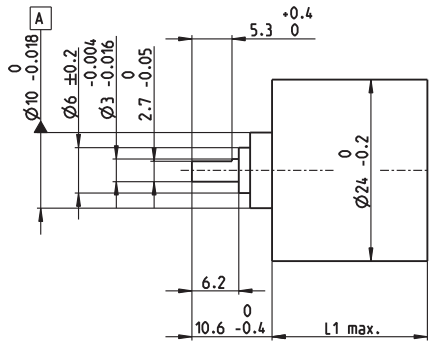


Spur Gearhead GS 24 A Ø24 mm, 0.1 Nm



M 1:1

Technical Data

Spur Gearhead	straight teeth
Housing	plastic
Output shaft	stainless steel, hardened
Bearing at output	sleeve bearing
Radial play, 8 mm from flange	max. 0.038 mm
Axial play	0.03–0.30 mm
Max. axial load (dynamic)	8 N
Max. force for press fits	500 N
Max. continuous input speed	4000 rpm
Recommended temperature range	-15...+80°C
Max. radial load, 8 mm from flange	5 N

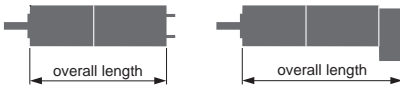
maxon gear

- Stock program
- Standard program
- Special program (on request)

Part Numbers

	110480	110481	110482	110483	110484	110485	110486
Gearhead Data							
1 Reduction	7.2:1	20:1	32:1	64:1	131:1	199:1	325:1
2 Absolute reduction	⁹³ / ₁₃	⁷⁵³⁴²⁴ / ₃₈₀₂₅	⁹²³⁵²¹ / ₂₈₅₆₁	⁸³⁷ / ₁₃	²¹²⁶²⁹ / ₁₆₂₅	⁸⁸⁷⁵⁰³⁶⁸¹ / ₄₄₅₅₅₁₆	¹⁴⁰⁷⁰⁰⁰¹ / ₄₃₂₆₄
3 Max. motor shaft diameter	mm 2	2	2	2	2	2	2
4 Number of stages	2	4	4	4	4	6	6
5 Max. continuous torque	Nm 0.1	0.1	0.1	0.1	0.1	0.1	0.1
6 Max. intermittent torque at gear output	Nm 0.15	0.15	0.15	0.15	0.15	0.15	0.15
12 Direction of rotation, drive to output	=	=	=	=	=	=	=
7 Max. efficiency	% 81	66	66	66	66	53	53
8 Weight	g 25	28	28	28	28	30	30
9 Average backlash no load	° 1.0	2.0	2.0	2.0	2.0	3.0	3.0
10 Mass inertia	gcm ² 0.008	0.01	0.008	0.007	0.006	0.008	0.006
11 Gearhead length L1*	mm 16.5	20.2	20.2	20.2	20.2	24	24

*L1 for A-max 22 L1 is -2.8 mm



maxon Modular System

+ Motor	Page	+ Sensor/Brake	Page	Overall length [mm] = Motor length + gearhead length + (sensor/brake) + assembly parts						
A-max 19	197/198			45.5	49.2	49.2	49.2	49.2	53.0	53.0
A-max 19, 1.5 W	198	MR	388/390	50.6	54.3	54.3	54.3	54.3	58.1	58.1
A-max 19, 1.5 W	198	Enc 22	398	59.9	63.6	63.6	63.6	63.6	67.4	67.4
A-max 19, 1.5 W	198	MEnc 13	409	53.0	56.7	56.7	56.7	56.7	60.5	60.5
A-max 19, 2.5 W	199/200			48.1	51.8	51.8	51.8	51.8	55.6	55.6
A-max 19, 2.5 W	200	MR	388/390	52.4	56.1	56.1	56.1	56.1	59.9	59.9
A-max 19, 2.5 W	200	Enc 22	398	62.5	66.2	66.2	66.2	66.2	70.0	70.0
A-max 19, 2.5 W	200	MEnc 13	409	55.6	59.3	59.3	59.3	59.3	63.1	63.1
A-max 22	201-204			45.7	49.4	49.4	49.4	49.4	53.2	53.2
A-max 22	202/204	MR	388/390	50.7	54.4	54.4	54.4	54.4	58.2	58.2
A-max 22	202/204	Enc 22	398	60.1	63.8	63.8	63.8	63.8	67.6	67.6
A-max 22	202/204	MEnc 13	409	52.8	56.5	56.5	56.5	56.5	60.3	60.3