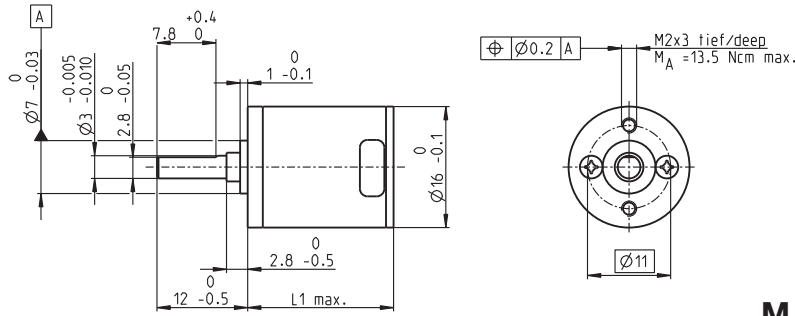


# Spur Gearhead GS 16 VZ $\varnothing 16$ mm, 0.06–0.1 Nm

Low Backlash



M 1:1

### Technical Data

Spur Gearhead	straight teeth
Output shaft	stainless steel, hardened
Bearing at output	preloaded ball bearings
Radial play, 6.5 mm from flange	max. 0.02 mm
Axial play at axial load	< 5 N 0 mm
	> 5 N max. 0.05 mm
Max. axial load (dynamic)	5 N
Max. force for press fits	5 N
Max. continuous input speed	8000 rpm
Recommended temperature range	-15...+100°C
Extended range as option	-40...+100°C
Number of stages	4 5 6
Max. radial load, 6.5 mm from flange	20 N 22 N 22 N

- Stock program
- Standard program
- Special program (on request)

### Part Numbers

327789	327796	327800
--------	--------	--------

### Gearhead Data

	327789	327796	327800
1 Reduction	76:1	261:1	900:1
2 Absolute reduction	387283/5103	12005773/45927	372178963/413343
3 Max. motor shaft diameter	mm 1.5	1.5	1.5
<b>Part Numbers</b>			
1 Reduction	108:1	371:1	1278:1
2 Absolute reduction	863939/8019	26782109/72171	830245379/649539
3 Max. motor shaft diameter	mm 1.5	1.5	1.5
<b>Part Numbers</b>			
1 Reduction	141:1	485:1	1670:1
2 Absolute reduction	923521/6561	28629151/59049	887503681/531441
3 Max. motor shaft diameter	mm 1	1	1
4 Number of stages	4	5	6
5 Max. continuous torque	Nm 0.10	0.10	0.10
6 Max. intermittent torque at gear output	Nm 0.30	0.30	0.30
12 Direction of rotation, drive to output	=	≠	=
7 Max. efficiency	% 62	54	48
8 Weight	g 17.2	18.7	20.2
9 Average backlash no load	° 0.3	0.45	0.5
10 Mass inertia	gcm <sup>2</sup> 0.017	0.014	0.013
11 Gearhead length L1	mm 19.3	21.3	23.3



### maxon Modular System

+ Motor	Page	+ Sensor/Brake	Page	Overall length [mm] = Motor length + gearhead length + (sensor/brake) + assembly parts		
A-max 16	193-196			44.8	46.8	48.8
A-max 16	194/196 MR		388/390	49.8	51.8	53.8
A-max 16	194/196 MEnc 13		409	52.9	54.9	56.9