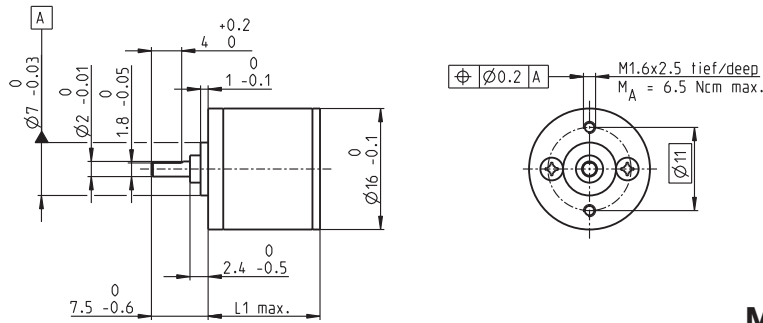


Spur Gearhead GS 16 A $\varnothing 16$ mm, 0.015–0.04 Nm



Technical Data

Spur Gearhead	straight teeth
Output shaft	stainless steel, hardened
Bearing at output	sleeve bearing
Radial play, 6.5 mm from flange	max. 0.15 mm
Axial play	0.02–0.12 mm
Max. axial load (dynamic)	2 N
Max. force for press fits	30 N
Max. continuous input speed	8000 rpm
Recommended temperature range	-15...+100°C
Extended range as option	-40...+100°C
Max. radial load, 6.5 mm from flange	2 N

M 1:1

- Stock program
- Standard program
- Special program (on request)

Part Numbers

	144409	143761	143763	143765	143767	143769
Gearhead Data						
1 Reduction	6.4:1	22:1	76:1	261:1	900:1	3101:1
2 Absolute reduction	403/63	12493/567	387283/5103	12005773/45927	372178963/413343	11537547853/3720087
3 Max. motor shaft diameter	mm 1.5	1.5	1.5	1.5	1.5	1.5
Part Numbers	207834	207835	207836	207837	207838	207839
1 Reduction	9.1:1	31:1	108:1	371:1	1278:1	4402:1
2 Absolute reduction	899/99	27869/891	863939/8019	26782109/72171	830245379/649539	25737606749/5845851
3 Max. motor shaft diameter	mm 1.5	1.5	1.5	1.5	1.5	1.5
Part Numbers	144410	143762	143764	143766	143768	143770
1 Reduction	12:1	41:1	141:1	485:1	1670:1	5752:1
2 Absolute reduction	961/81	29791/729	923521/6561	28629151/59049	887503681/531441	27512614111/4782969
3 Max. motor shaft diameter	mm 1	1	1	1	1	1
4 Number of stages	2	3	4	5	6	7
5 Max. continuous torque	Nm 0.015	0.025	0.035	0.040	0.040	0.040
6 Max. intermittent torque at gear output	Nm 0.10	0.10	0.10	0.10	0.10	0.10
12 Direction of rotation, drive to output	=	≠	=	≠	=	≠
7 Max. efficiency	% 81	73	66	59	53	48
8 Weight	g 9.0	9.8	10.2	10.7	11.3	11.7
9 Average backlash no load	° 1.0	1.0	1.2	1.2	1.5	1.5
10 Mass inertia	gcm ² 0.0032	0.0031	0.0031	0.0031	0.0031	0.0031
11 Gearhead length L1	mm 11.8	12.8	14.8	16.8	18.8	20.8



maxon Modular System

+ Motor	Page	+ Sensor/Brake	Page	Overall length [mm] = Motor length + gearhead length + (sensor/brake) + assembly parts					
A-max 16	193-196			37.3	38.3	40.3	42.3	44.3	46.3
A-max 16	194/196 MR		388/390	42.3	43.3	45.3	47.3	49.3	51.3
A-max 16	194/196 MEnc 13		409	45.4	46.4	48.4	50.4	52.4	54.4