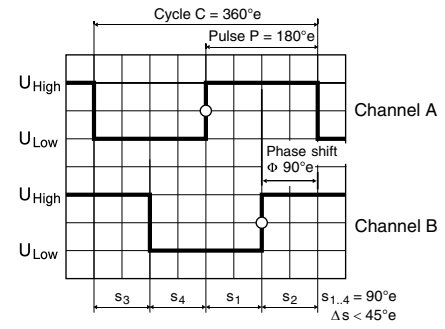
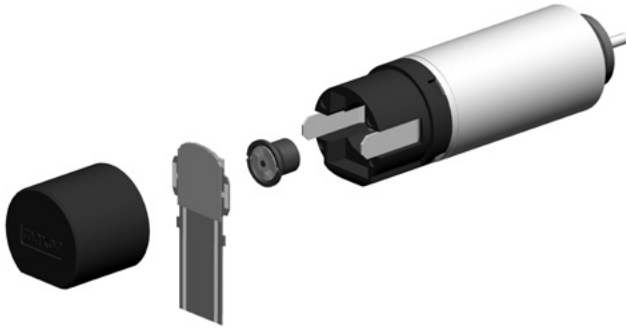


# Encoder 8 OPT 50 CPT, 2 Channels



Direction of rotation cw (definition cw p. 150)

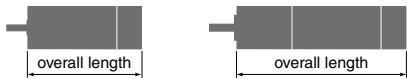
- Stock program
- Standard program
- Special program (on request)

## Part Numbers

473594

## Type (provisional)

Counts per turn	50
Number of channels	2
Max. operating frequency (kHz)	15
Max. speed (rpm)	18000



## maxon Modular System

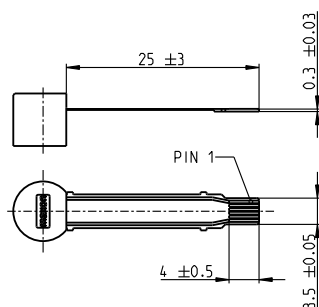
+ Motor	Page	+ Gearhead	Page	+ Brake	Page	Overall length [mm] / ● see Gearhead
RE 8, 0.5 W, A	153					24.2
RE 8, 0.5 W, A	153	GP 8, 0.01 - 0.1 Nm	312			●
RE 8, 0.5 W, A	153	GP 8 S	363-364			●

## Technical Data

Supply voltage $V_{CC}$ <sup>1)</sup>	3 V ± 10%
Phase shift $\phi$	90°e ± 45°e
Operating temperature range	-20...+85 °C
Moment of inertia of code wheel	≤ 0.001 gcm <sup>2</sup>
Output current per channel	min. -1 mA, max. 8 mA

<sup>1)</sup> Not in combination with maxon controllers.

## Pin Allocation



Compatible connector:  
Molex 52745-0697

- 1 Motor +
- 2  $V_{CC}$
- 3 Channel A
- 4 Channel B
- 5 GND
- 6 Motor -

## Connection example

