

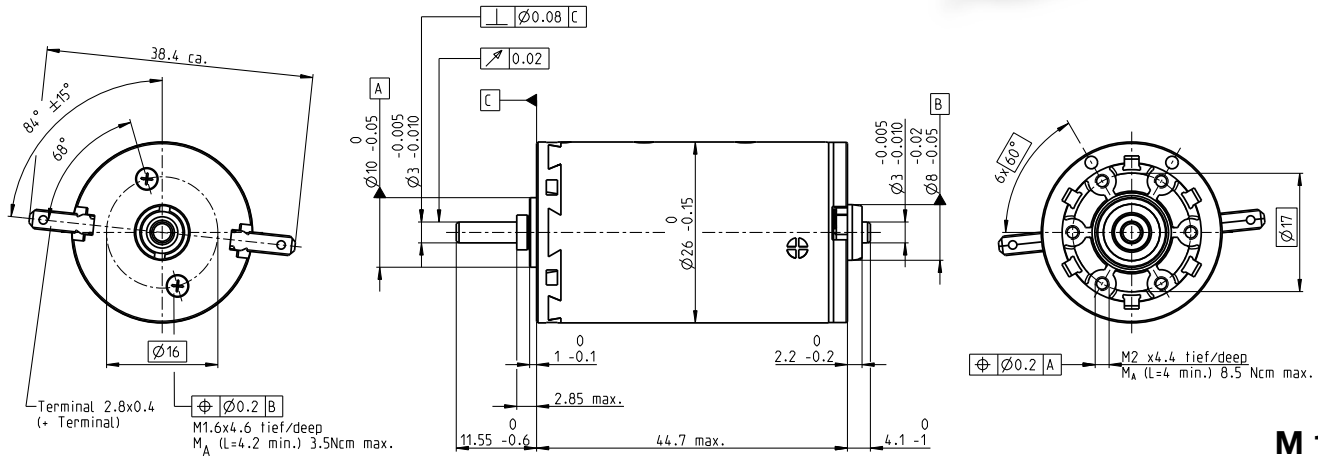
DC-max 26 Graphite Brushes

DC motor Ø26 mm

22/29 W 26.1 mNm 11000 rpm



maxon X drives



M 1:1

Motor Data

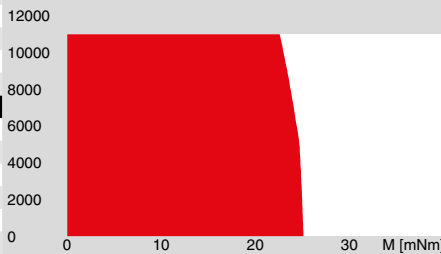
1_	Nominal voltage	V	12	24	48
2_	No load speed	rpm	9610	8810	8630
3_	No load current	mA	66.3	29.5	14.3
4_	Nominal speed	rpm	9230	8080	7860
5_	Nominal torque (max. continuous torque)	mNm	12.1	26.1	25.1
6_	Nominal current (max. continuous current)	A	1.08	1.03	0.487
7_	Stall torque	mNm	306	313	281
8_	Stall current	A	25.7	12.1	5.32
9_	Max. efficiency	%	90	90	90
10_	Terminal resistance	Ω	0.467	1.99	9.03
11_	Terminal inductance	mH	0.061	0.292	1.22
12_	Torque constant	mNm/A	11.9	25.9	53.0
13_	Speed constant	rpm/V	803	368	180
14_	Speed/torque gradient	rpm/mNm	31.5	28.2	30.8
15_	Mechanical time constant	ms	4.87	4.73	4.90
16_	Rotor inertia	gcm ²	14.7	16.0	15.2

Thermal data

17_	Thermal resistance housing-ambient	K/W	24
18_	Thermal resistance winding-housing	K/W	4.73
19_	Thermal time constant winding	s	28.2
20_	Thermal time constant motor	s	636
21_	Ambient temperature	°C	-30...85
22_	Max. winding temperature	°C	125

Operating Range

n [rpm] Winding 24 V



- Continuous operation
- Continuous operation with reduced thermal resistance R_{th2} 50%
- Intermittent operation

Mechanical data ball bearings

23_	Max. speed	rpm	11000
24_	Axial play	mm	0.1...0.2
	Preload	N	0
25_	Radial play	mm	0.025
26_	Max. axial load (dynamic)	N	5
27_	Max. force for press fits (static) (static, shaft supported)	N	75
28_	Max. radial load [mm from flange]	N	1200
		N	20 [5]

Mechanical data sleeve bearings

23_	Max. speed	rpm	11000
24_	Axial play	mm	0.1...0.2
	Preload	N	0
25_	Radial play	mm	0.012
26_	Max. axial load (dynamic)	N	1.7
27_	Max. force for press fits (static) (static, shaft supported)	N	80
28_	Max. radial load [mm from flange]	N	1200
		N	5.5 [5]

maxon Modular System

maxon gear	Stages
134_GPX 26 A/C	1-2
135_GPX 26 LN/LZ	1-2
137_GPX 32 A/C	3
138_GPX 32 LN/LZ	3

maxon sensor
146_ENX 10 QUAD
147_ENX 16 EASY
148_ENX 16 EASY Abs.

maxon motor control
416_ESCON Module 24/2
416_ESCON 36/2 DC
417_ESCON Module 50/5
418_ESCON 50/5
424_EPOS2 24/2 (DC/EC)
424_EPOS2 Module 36/2
425_EPOS2 50/5
435_MAXPOS 50/5

Other specifications

29_	Number of pole pairs	1
30_	Number of commutator segments	13
31_	Weight of motor	g 120

Configuration

Bearing: Sleeve bearings/ball bearings
 Commutation: Precious metal brushes with CLL/Graphite Brushes
 Shaft front/back: Length
 Electric connection: Terminals/cable