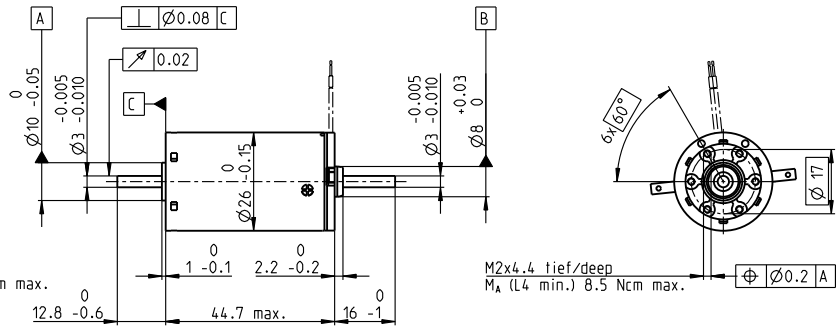
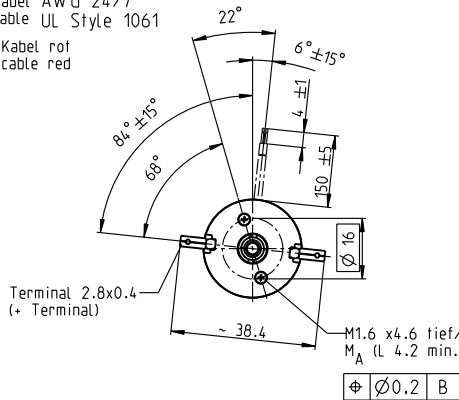


A-max 26 Ø26 mm, Graphite Brushes, 11 Watt

High Power

Kabel AWG 24/7
cable UL Style 1061

⊗ Kabel rot
cable red



M 1:2

- Stock program
- Standard program
- Special program (on request)

Part Numbers

with terminals	110958	110959	110960	110961	110962	110963	110964	110965	110966	110967	110968
with cables	353606	353607	353608	353609	353610	353611	353612	353613	353614	353615	353616

Motor Data

Values at nominal voltage		6	7.2	12	15	18	24	30	36	42	48	48
1 Nominal voltage	V	6	7.2	12	15	18	24	30	36	42	48	48
2 No load speed	rpm	9740	10400	8190	8450	8040	8890	7050	7280	7880	7470	6010
3 No load current	mA	143	130	57	47.5	37.1	31.7	18.9	16.4	15.5	12.7	9.66
4 Nominal speed	rpm	9210	9700	6720	6620	6080	6910	5000	5230	5840	5390	3900
5 Nominal torque (max. continuous torque)	mNm	5.48	6.26	14.2	17.4	18.7	18.4	18.2	18.2	18.1	17.8	17.9
6 Nominal current (max. continuous current)	A	1.08	1.08	1.08	1.08	0.919	0.749	0.47	0.404	0.373	0.305	0.247
7 Stall torque	mNm	102	96.4	80.2	80.5	77.1	83.3	63	65.2	70.3	64.5	51.4
8 Stall current	A	17.4	14.7	5.79	4.8	3.64	3.26	1.57	1.4	1.4	1.06	0.684
9 Max. efficiency	%	83	82	81	81	81	82	80	80	80	80	78
Characteristics												
10 Terminal resistance	Ω	0.345	0.49	2.07	3.13	4.94	7.36	19.1	25.8	30.1	45.1	70.2
11 Terminal inductance	mH	0.04	0.051	0.227	0.333	0.529	0.77	1.9	2.58	2.99	4.34	6.68
12 Torque constant	mNm/A	5.84	6.57	13.9	16.8	21.2	25.5	40.1	46.7	50.3	60.6	75.2
13 Speed constant	rpm/V	1640	1450	689	569	451	374	238	205	190	158	127
14 Speed / torque gradient	rpm/mNm	96.6	109	103	106	105	108	113	113	113	117	119
15 Mechanical time constant	ms	14.6	14.7	14.6	14.7	14.7	14.7	14.9	14.9	14.9	15	15
16 Rotor inertia	gcm ²	14.4	12.9	13.6	13.2	13.3	13.1	12.5	12.6	12.5	12.2	12.1

Specifications

Thermal data	
17 Thermal resistance housing-ambient	13.2 K/W
18 Thermal resistance winding-housing	3.2 K/W
19 Thermal time constant winding	12.5 s
20 Thermal time constant motor	473 s
21 Ambient temperature	-30...+85°C
22 Max. winding temperature	+125°C

Mechanical data (ball bearings)	
23 Max. speed	10400 rpm
24 Axial play	0.1 - 0.2 mm
25 Radial play	0.025 mm
26 Max. axial load (dynamic)	5 N
27 Max. force for press fits (static) (static, shaft supported)	75 N
28 Max. radial load, 5 mm from flange	1200 N

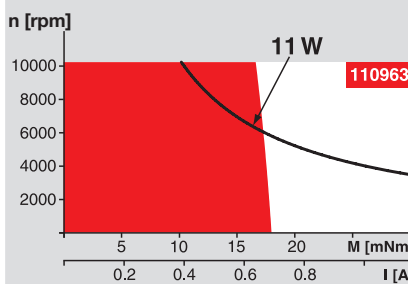
Mechanical data (sleeve bearings)	
23 Max. speed	10400 rpm
24 Axial play	0.1 - 0.2 mm
25 Radial play	0.012 mm
26 Max. axial load (dynamic)	1.7 N
27 Max. force for press fits (static) (static, shaft supported)	80 N
28 Max. radial load, 5 mm from flange	1200 N

Other specifications	
29 Number of pole pairs	1
30 Number of commutator segments	13
31 Weight of motor	119 g

Values listed in the table are nominal.
Explanation of the figures on page 151.

Option
Sleeve bearings in place of ball bearings

Operating Range



Comments

- Continuous operation**
In observation of above listed thermal resistance (lines 17 and 18) the maximum permissible winding temperature will be reached during continuous operation at 25°C ambient.
= Thermal limit.
- Short term operation**
The motor may be briefly overloaded (recurring).
- Assigned power rating**

maxon Modular System

maxon Modular System		Overview on page 20-27	
Planetary Gearhead Ø26 mm 0.75 - 4.5 Nm Page 336		Encoder MR 128 - 1000 CPT, 3 channels Page 392	
Spur Gearhead Ø30 mm 0.07 - 0.2 Nm Page 337		Encoder Enc 22 mm 100 CPT, 2 channels Page 398	
Planetary Gearhead Ø32 mm 0.75 - 6.0 Nm Page 338/339/342		Encoder HED_ 5540 500 CPT, 3 channels Page 400/402	
Spur Gearhead Ø38 mm 0.1 - 0.6 Nm Page 348		Encoder MEnc Ø13 mm 16 CPT, 2 channels Page 410	
Spindle Drive Ø32 mm Page 370-372			